

User instructions

ArcSource Inground 12

The product generates colored light by means of high power LEDs. The product was designed for exterior use and is ideal for locations where signaling, directional or effect lighting is required.

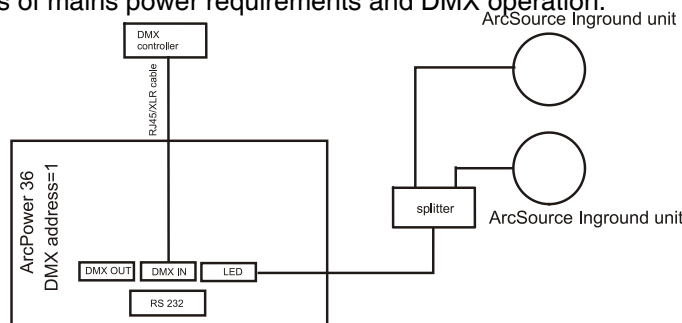
1. Attention:

Consider the respective national norms during the installation!

- The unit is not suitable for underwater installation.
- Do not install the unit near naked flames.
- Avoid using the unit in locations subject to possible impacts.
- Do not attempt to dismantle or modify the unit.
- Avoid looking directly into the LED light beam at close range.

2. Installation:

The ArcSource Inground 12 should be connected to the ArcPower driver according to the light variant (RGB, SW, WW...). See ArcPower 36, ArcPower 144 (or ArcPower SmartWhite 36, ArcPower SmartWhite 144) user manual for full details of mains power requirements and DMX operation.



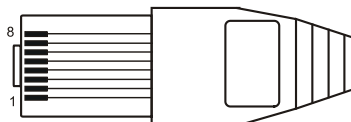
The ArcSource Inground's case is fastened by screws into the plastic mounting sleeve used to prepare positions in concrete, paving or wall.

Connect the end of the ArcSource Inground 12 cable directly to the driver or use suitable cable joint box (weather-tight for outdoor installation) if the cable has to be extended. The 4-pair unshielded cable cat.5e and RJ45 plug that connects the ArcSource Inground unit to the driver ArcPower has the following wiring:

Colour variants

Pin	Colour of wire	<u>RGB</u>	<u>Single colour</u>	<u>WWRGB/CWRGB</u>
1	White/orange	Red LED +	Colour LED 1+	Red LED +
2	Orange	Green LED +	Colour LED 2+	Green LED +
3	White/green	Blue LED +	Colour LED 3+	Blue LED +
4	Blue	Not used	Not used	White LED +
5	White/blue	Red LED -	Colour LED 1-	Red LED -
6	Green	Green LED -	Colour LED 2-	Green LED -
7	White/brown	Blue LED -	Colour LED 3-	Blue LED -
8	Brown	Not used	Not used	White LED -

RJ45 plug
(View facing pins)



Maximum possible number of LED modules connected to the one ArcPower 36 (or one LED output of the ArcPower 144) is mentioned in the table below.

Module (colour variant)	Total LEDs	Red LEDs	Green LEDs	Blue LEDs	Amber LEDs	Cool white LEDs	Warm white LEDs	Max. number of connected modules	Compatible power supplies
ArcSource Inground 12 RGB	12	4	4	4	-	-	-	3	ArcPower 36 ArcPower 144
ArcSource Inground 12 WWRGB	12	2	2	2	-	-	6	2	ArcPower 36 ArcPower 144
ArcSource Inground 12 CWRGB	12	2	2	2	-	6	-	2	ArcPower 36 ArcPower 144

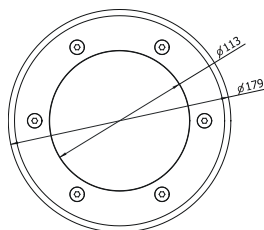
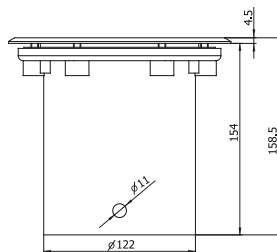
Module (colour variant)	Total LEDs	Red LEDs	Green LEDs	Blue LEDs	Amber LEDs	Cool white LEDs	Warm white LEDs	Max.number of connected modules	Compatible power supplies
ArcSource Inground 12 WW	12	-	-	-	-	-	12	3	ArcPower 36 ArcPower 144
ArcSource Inground 12 CW	12	-	-	-	-	12	-	3	ArcPower SmartWhite 36 ArcPower SmartWhite 144
ArcSource Inground 12 R	12	12	-	-	-	-	-	3	ArcPower SmartWhite 36 ArcPower SmartWhite 144
ArcSource Inground 12 G	12	-	12	-	-	-	-	3	ArcPower SmartWhite 36 ArcPower SmartWhite 144
ArcSource Inground 12 B	12	-	-	12	-	-	-	3	ArcPower SmartWhite 36 ArcPower SmartWhite 144
ArcSource Inground 12 A	12	-	-	-	12	-	-	3	ArcPower SmartWhite 36 ArcPower SmartWhite 144

4. Technical specifications:

Max input current:	350 mA
Maximum power consumption:	13.6 watts
Compatible power supplies for RGB/WRGB variants:	ArcPower 36/72/144/360
Comp. power supplies for single colour variants:	ArcPower SmartWhite 36/72/144/360
Operating ambient temp.range:	-20°C/+30°C
Cooling system:	convection
Led device:	ProLight Opto Proeon
Number of LEDs	12
Optical systems available:	6°, 15°, 25°
Typical lumen maintenance:	70% @ 50,000 hours
Led life expectancy:	minimum 50,000 hours
LED colour variants*:	RGB, WWRGB, CWRGB, CW, WW, R, G, B, A
LED colour temperatures for WW/CW variant:	3300K/6500 K
Ingress protection:	IP 67
Construction:	
housing	stainless steel
mounting sleeve	plastic
transparen cover	tempered glass
Weight:	2 kg
Power /Data connection connector:	RJ45
Power /Data connection cable :	Belden 7934A - 4-pair, 24 AWG, unshielded, enhanced category 5e, 1.5 meters long
* RGB - red&green&blue; R- red; G-green; B-blue; A-amber; CW-cool white; WW-warm white; SW-smart white; WWRGB-warm white&red&green&blue; CWRGB-cool white&red&green&blue	

5. Dimensions:

(All dimensions are in mm)



6. Accessories

Splitter.....1 pcs (No. 13050690)

Version 1.2

Specifications are subject to change without notice.