

ArcSource Inground 12 RGBCW™



The Anolis ArcSource Inground range brings the ArcSource range to the world of exterior lighting. Industry standard Inground fittings with an IP67 Rating, complete with Drive over loadings.

TECHNICAL SPECIFICATIONS:

Power Supply Required: See Below Listing
 Max Power Consumption: 13.6W
 Available Beam Angles: See Pg 4
 Impact Rating: IK 07
 Ingress Protection Rating: IP67
 Light Source: High Power LED's
 LED Life Expectancy: Min 50000 Hrs
 Typical Lumen Maintenance: 70% @ 50000 hrs

Construction: Stainless Steel, Plastics Housing
 Product Weight: 2kg
 Operating Ambient Temp Range: -20°C/+40°C
 Operating Temp: +60°C @ Ambient +40°C
 LED Colour Variants: See Pg 4
 Cooling System: Convection
 Cable Type: Chogori 08BMMA-SL8001 (Male)

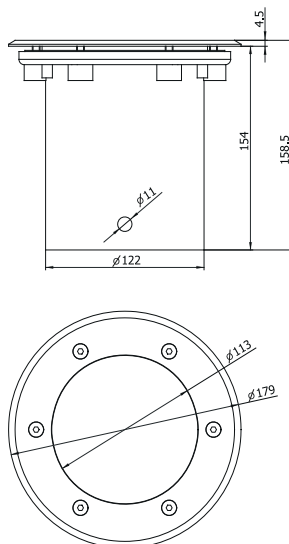
For further information regarding optical systems please visit the website: www.anolis.eu

Accessories:

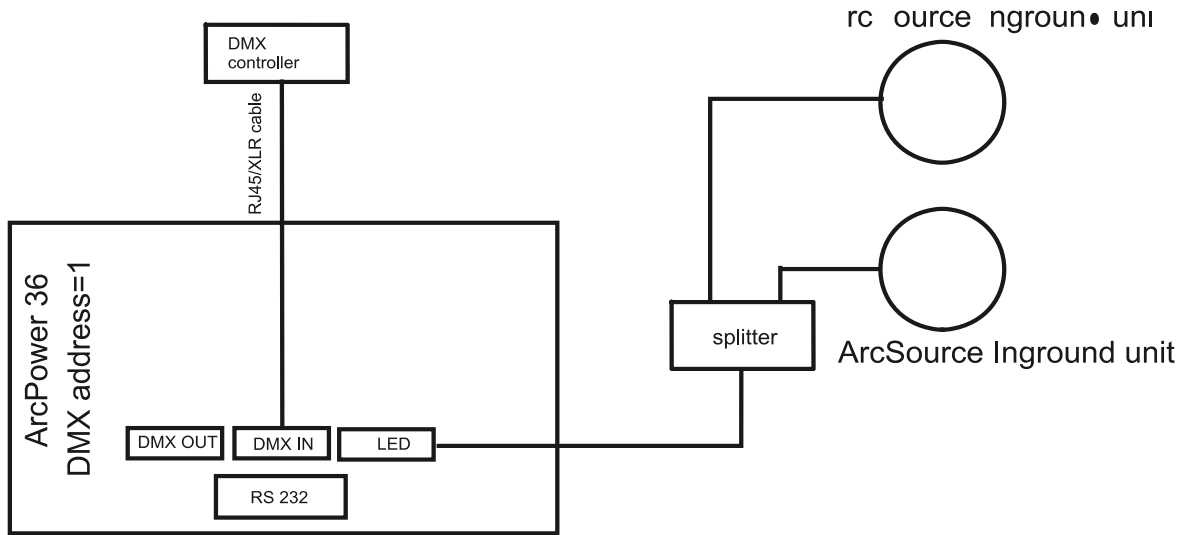
Compatible Drivers:

ArcPower 36, 72, 144, 360, RM384

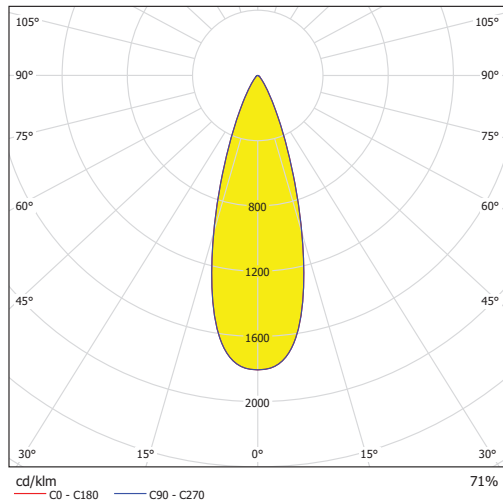
DIMENSIONAL DRAWINGS:



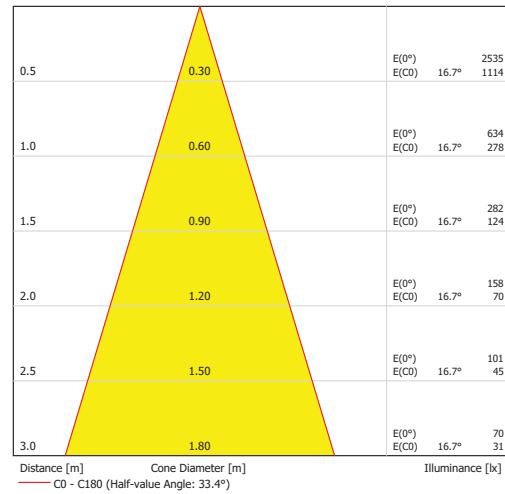
CONNECTION SCHEME:



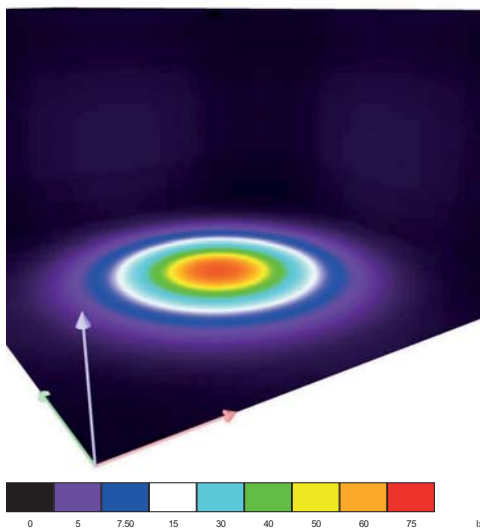
LDC Polar



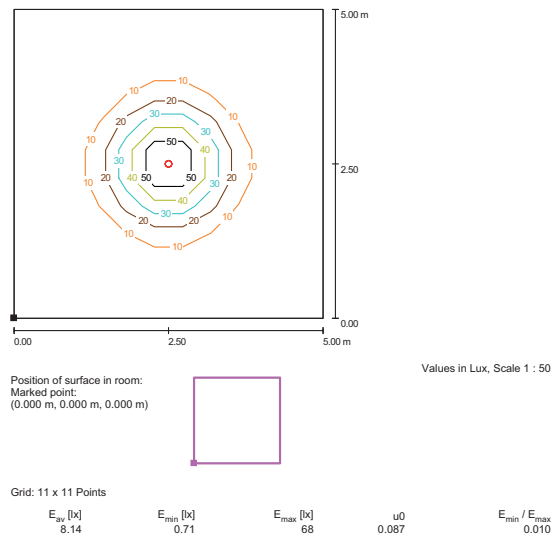
Cone Diagram



Colour Rendering



Floor Isolines (E)



Room Details

Height of working plane: 0.850
Boundary Zone: 0.000 m

Maintenance factor: 0.80

Height of Room: 2.800 m
Ground area: 25.00 m²

Total Luminous Flux: 351 lm
Total Load: 17.0 W
Maintenance factor: 0.80
Boundary Zone: 0.000 m

Surface	Rho [%]	from ([m] [m])	towards ([m] [m])	Length [m]
Floor	20	/	/	/
Ceiling	70	/	/	/
Wall 1	50	(0.000 0.000)	(5.000 0.000)	5.000
Wall 2	50	(5.000 0.000)	(5.000 5.000)	5.000
Wall 3	50	(5.000 5.000)	(0.000 5.000)	5.000
Wall 4	50	(0.000 5.000)	(0.000 0.000)	5.000

PRODUCT SPECIFICATION CHART:

ACCESSORIES:

1006 0649	B	25°
1006 6646	B	6°
1006 5644	CW	15°
1006 0644	CW	32°
1006 7642	CW	38°
1006 5645	CW	6°
1006 5649	CWRGB	15°
1006 5642	CWRGB	32°
1006 7645	CWRGB	38°
1006 5650	CWRGB	6°
1006 0650	G	32°
1006 8641	NW	6°
1006 0642	RGB	15°
1006 0641	RGB	32°
1006 7641	RGB	38°
1006 0643	RGB	6°
1006 0647	SW	32°
1006 ,0645	WW	32°
1006 7643	WW	38°
1006 5643	WW	6°
1006 5647	WWRGB	15°
1006 0646	WWRGB	32°

Other variants available on request