

# ArcSource 12 RGBCW™



The Anolis ArcSource 12 combines LED technology within an industry AR-111 size fitting. The high quality optical system ensures that the desired effect can be achieved.

## TECHNICAL SPECIFICATIONS:

Power Supply Required: See Below Listing  
 Max Power Consumption: 13.6W  
 Available Beam Angles: See Pg 4  
 Impact Rating: IK \*\*  
 Ingress Protection Rating: IP2X  
 Light Source: High Power LED's  
 LED Life Expectancy: Min 50000 Hrs  
 Typical Lumen Maintenance: 70% @ 50000 hrs

Construction: Precision Turned Aluminium  
 Fixing Method: AR-111 Housing  
 Product Weight: 0.6kg  
 Operating Ambient Temp Range: -20°C/+40°C  
 Operating Temp: +60°C @ Ambient +40°C  
 LED Colour Variants: See Pg 4  
 Cooling System: Convection  
 Cable Type: Cat 5e 1.5m with RJ45 male connector

For further information regarding optical systems please visit the website: [www.anolis.eu](http://www.anolis.eu)

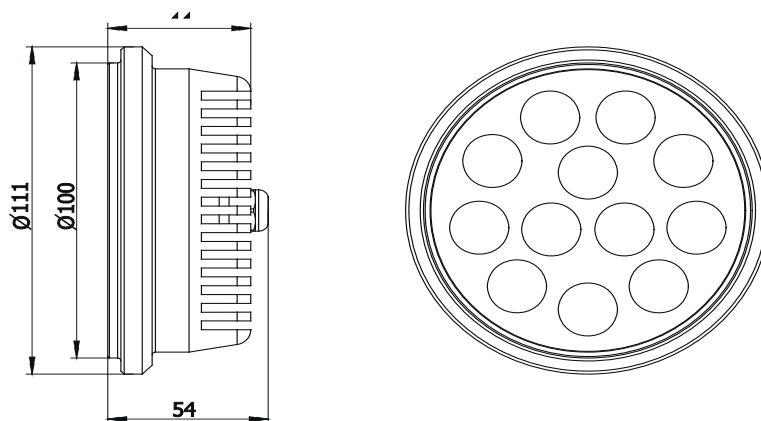
### Accessories:

AR-111 Housing

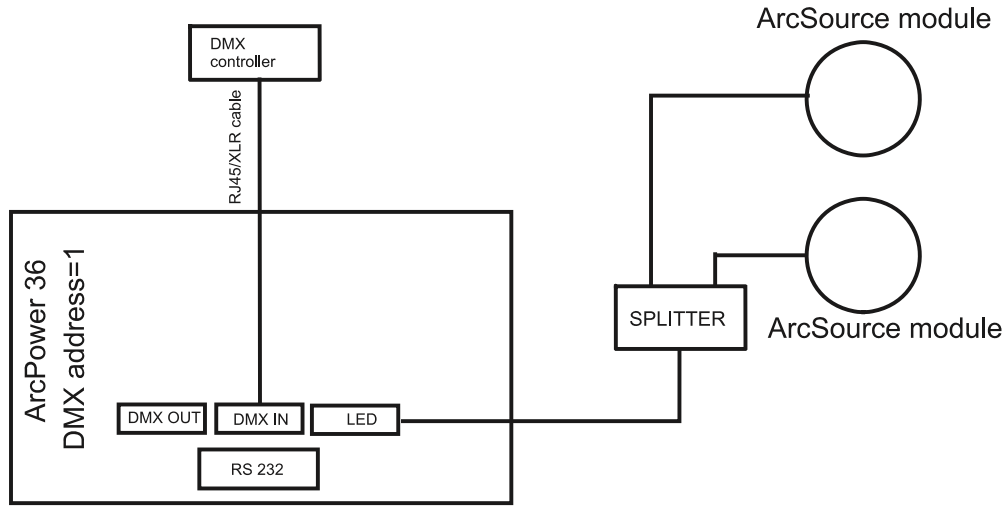
### Compatible Drivers:

ArcPower 36, 72, 144, 360, RM 384

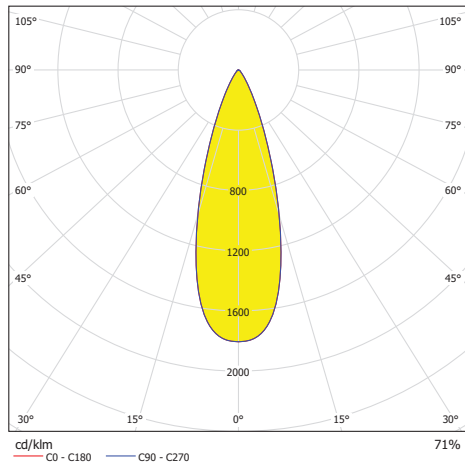
## DIMENSIONAL DRAWINGS:



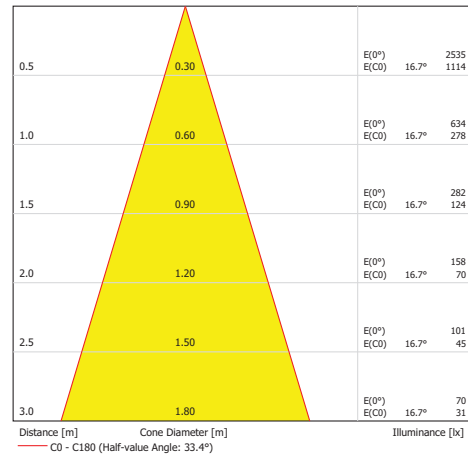
CONNECTION SCHEME:



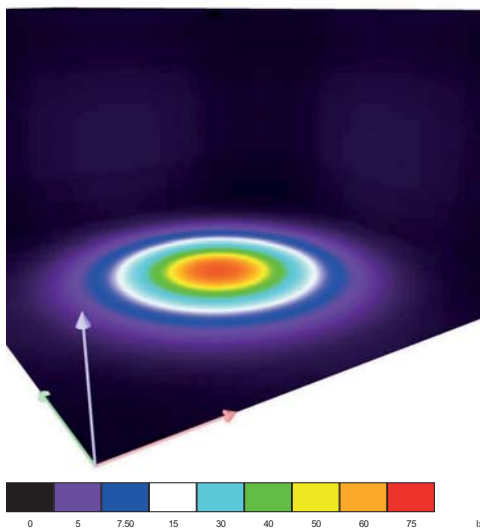
### LDC Polar



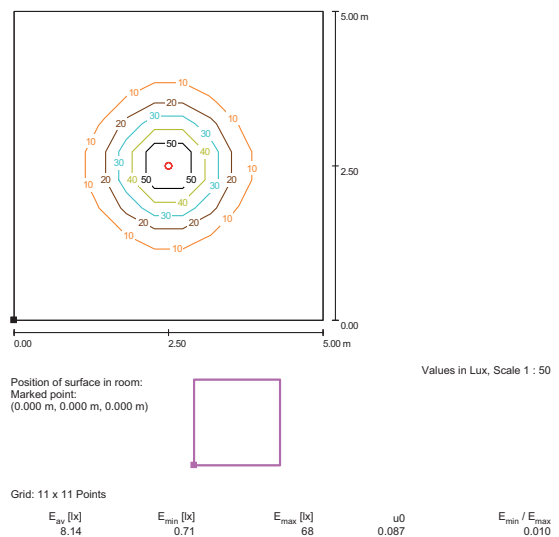
### Cone Diagram



### Colour Rendering



### Floor Isolines (E)

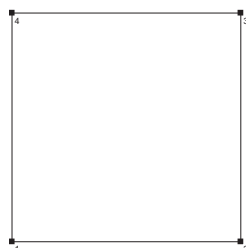


### Room Details

Height of working plane: 0.850 m  
 Boundary Zone: 0.000 m

Maintenance factor: 0.80

Height of Room: 2.800 m  
 Ground area: 25.00 m<sup>2</sup>



Total Luminous Flux: 351 lm  
 Total Load: 17.0 W  
 Maintenance factor: 0.80  
 Boundary Zone: 0.000 m

Surface	Rho [%]	from ( [m]   [m] )	towards ( [m]   [m] )	Length [m]
Floor	20	/	/	/
Ceiling	70	/	/	/
Wall 1	50	( 0.000   0.000 )	( 5.000   0.000 )	5.000
Wall 2	50	( 5.000   0.000 )	( 5.000   5.000 )	5.000
Wall 3	50	( 5.000   5.000 )	( 0.000   5.000 )	5.000
Wall 4	50	( 0.000   5.000 )	( 0.000   0.000 )	5.000

## PRODUCT SPECIFICATION CHART:

1006 6137	A	15°
1006 5136	A	25°
1006 7140	A	33°
1006 6138	A	6°
1006 6135	B	15°
1006 0139	B	25°
1006 7138	B	33°
1006 6136	B	6°
1006 5138	CW	15°
1006 0134	CW	25°
1006 7133	CW	33°
1006 0140	CW	6°
1006 6139	G	15°
1006 5135	G	25°
1006 7139	G	33°
1006 6140	G	6°
1006 6133	R	15°
1006 0138	R	25°
1006 7137	R	33°
1006 6134	R	6°
1006 1985	RBWWCW	25°
1006 7131	RGB	33°
1006 0132	RGB	15°
1006 0131	RGB	25°
1006 0133	RGB	6°
1006 1952	RGBA	6°
1006 6131	RGBCW	15°
1006 5134	RGBCW	25°
1006 7135	RGBCW	33°
1006 6132	RGBCW	6°
1006 5140	RGBWW	15°
1006 0135	RGBWW	25°
1006 2066	RGBWW	33°
1006 7134	RGBWW	33°
1006 5133	RGBWW	6°
1006 5137	SW	15°
1006 0136	SW	25°
1006 7136	SW	33°
1006 5132	SW	6°
1006 5139	WW	15°
1006 0137	WW	25°
1006 7132	WW	33°
1006 5131	WW	6°

## ACCESSORIES:

1703 0304	AR-111 Housing
-----------	----------------

Other variants available on request